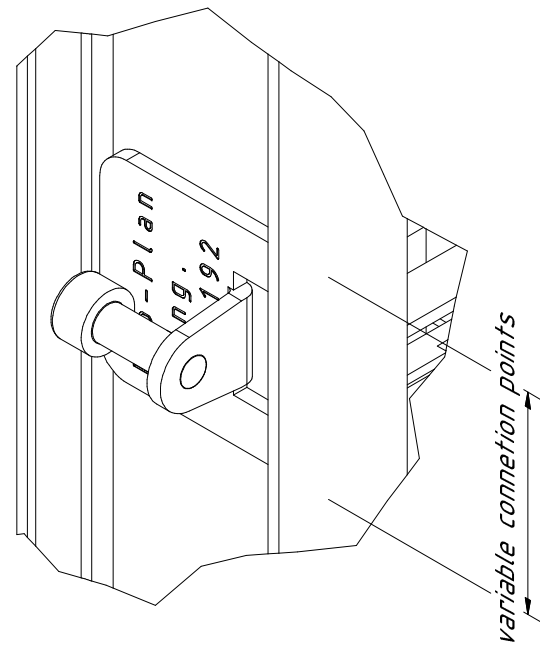


A (1:1)



The mosaic grid PKM-248 made out of polycarbonate is very flexible, easy to modify and light in weight.

PKM 248 is seismic qualified according to IEC 60068

Pro-Plan mosaic grid PKM-248				ISO 2768 m	M 1:5
				-	
			Date	Name	
			Drawn by 20.01.2015	Oehmig/Konstruktion	
			Checked 20.01.2015	Dr.Kissel	
			Norm		
					PKM_248.dwg
					Sheet 1
A	First Issue				A3
Index	Revision	Date	Name		